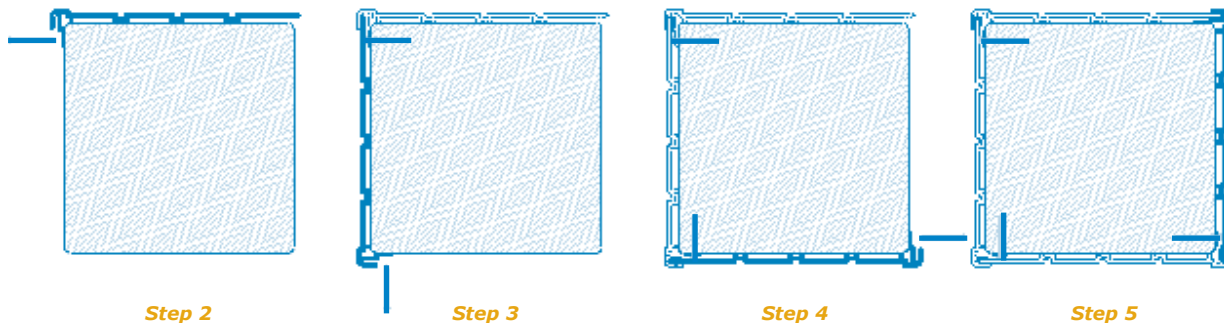


## MATERIALS REQUIRED:

- 4-pcs. of column cladding
- Measuring tape
- Saw (w/fine tooth blade)
- Hammer and trim nails or stapler and 3/8" to 1/2" staples

## INSTALLATION INSTRUCTIONS

- Step 1:** Measure the length of column and cut the column clad accordingly to size of the column, cut with a fine tooth blade.
- Step 2:** Place first piece of cladding on the post so that the flange and inside legs are flush on corner. Attach using trim nails or staples through groove on flange.
- Step 3:** Insert second piece of cladding, place flat end into the slot of the first piece. Push until angled end is flush on corner. Column Cladding is self-locking, however, trim nails or staples may be used.
- Step 4:** To attach the third piece, repeat step 2.
- Step 5:** To attach final piece, insert flat end into slot of attached angled end and place the slot of unattached end over remaining flat end. A trim nail or small amount of caulk may be used, if necessary.



## TRIM INSTALLATION INSTRUCTIONS

- Step 1:** Slide together the molded trim pieces as shown in Figure 1, until they are snug around post.

